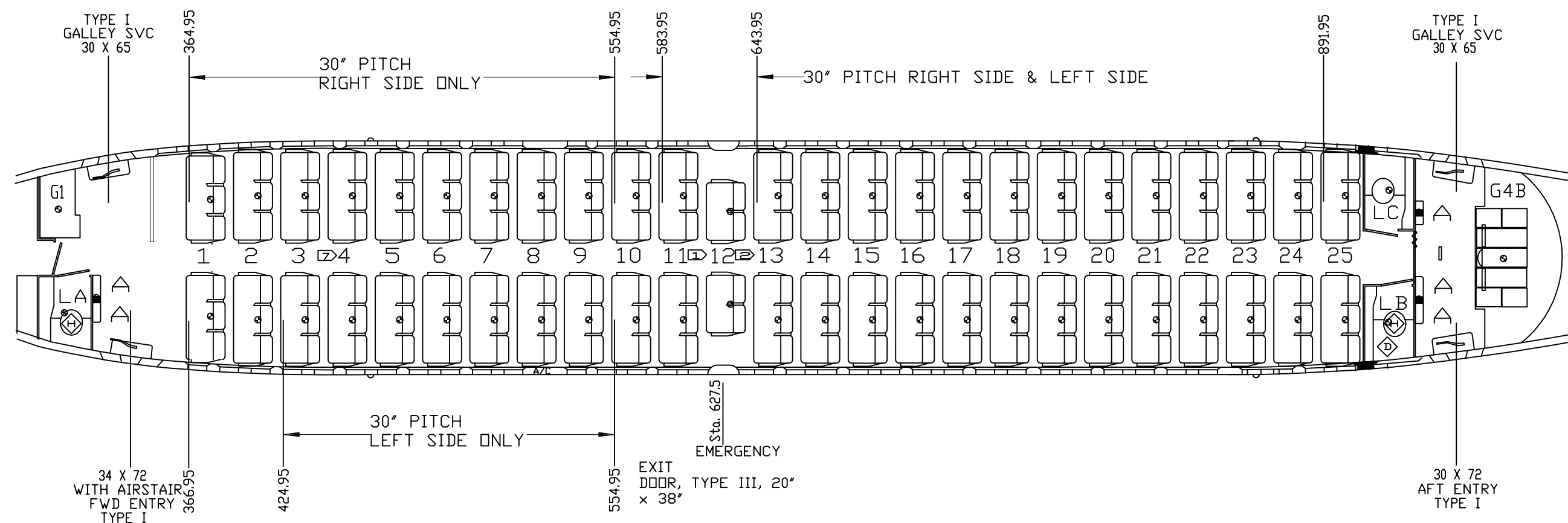


REV	DESCRIPTION	DATE	APPROVED
A	CORRECT TYPING ERRORS ON SEAT LOCATION AND HATCH	12/21/2004	JRG



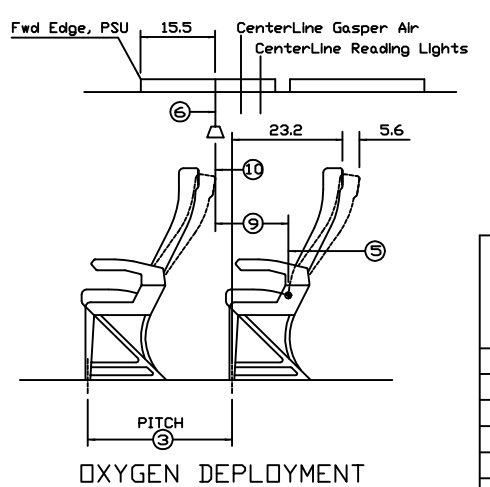
NOTES

- 1 NO RECLINE, SEAT ROW 11 & 12.
- 2 LIMITED BREAKOVER TO MAINTAIN EXIT AISLE WIDTH ROWS 12 AND 13.
- 3 SEAT STATION CALLOUT REFERS TO CENTRELINE OF FORWARD INBOARD STUD WITH SEAT LOCKED IN TRACK
- 4 G1 - EXISTING
G4 - EXISTING
- 5 SEAT REFERENCE LINE IS TAKEN FROM POINT WHERE SEAT BACK CONTACTS SEAT CUSHION
- 6 OXYGEN MASK REFERENCE LINE IS TAKEN FROM CENTER OF THE DEPLOYED OXYGEN MASK
- 7 SEAT LEG ADAPTOR MAY BE REQUIRED ON ROW 4.
- 8 INSTALL PSU'S AND SPACER ASSEMBLIES I.A.W. AIRCRAFT IPC, AMM 25-23-61 AND OXYGEN DEPLOYMENT POSITION DIAGRAM
- 9 TO ASSURE PROPER LOCATION OF OXYGEN, GASPER AND READING LIGHTS THE DISTANCE ALLOWED BETWEEN THE SEAT REFERENCE LINE AND OXYGEN MASK REFERENCE LINE IS 21.5 INCH (MAX), 10.5 INCH (MIN)
- 10 OXYGEN MASK REFERENCE LINE MUST NOT FALL FORWARD OF SEAT BACK IN THE FULLY RECLINED POSITION (TO DISTINGUISH A DEPLOYED OXYGEN MASK FOR THE OCCUPANT)
- 11 THE FOLLOWING SEAT ROWS MAY HAVE THE FOLLOWING PART NUMBERS INSTALLED
 SEAT 3 LEFT 834685-431
 SEAT 4 LEFT 834685-425
 SEAT 13 LEFT 834685-437
 SEAT 3 RIGHT 834685-432
 SEAT 4 RIGHT 834685-426
 SEAT 13 RIGHT 834685-402
 SEAT 24 RIGHT 840442-10

148 T/C PASSENGERS - 29" PITCH EXCEPT WHERE INDICATED

ROW	LEFT HAND	RIGHT HAND	DESCRIPTION
1	834685-437	834685-438	TRIPLE ECONOMY
2	834685-431	834685-432	TRIPLE ECONOMY
3	834685-425	834685-426	TRIPLE ECONOMY
4	834685-423	834685-424	TRIPLE ECONOMY
5	834685-423	834685-424	TRIPLE ECONOMY
6	834685-423	834685-424	TRIPLE ECONOMY
7	834685-423	834685-424	TRIPLE ECONOMY
8	834685-423	834685-424	TRIPLE ECONOMY
9	834685-423	834685-424	TRIPLE ECONOMY
10	834685-423	834685-424	TRIPLE ECONOMY
11	834685-439	834685-440	TRIPLE ECONOMY
12	834685-441	834685-442	DOUBLE ECONOMY
13	834685-427	834685-428	TRIPLE ECONOMY
14	834685-423	834685-424	TRIPLE ECONOMY
15	834685-423	834685-424	TRIPLE ECONOMY
16	834685-423	834685-424	TRIPLE ECONOMY
17	834685-423	834685-424	TRIPLE ECONOMY
18	834685-423	834685-424	TRIPLE ECONOMY
19	834685-423	834685-424	TRIPLE ECONOMY
20	834685-423	834685-424	TRIPLE ECONOMY
21	834685-423	834685-424	TRIPLE ECONOMY
22	834685-423	834685-424	TRIPLE ECONOMY
23	834685-429	834685-430	TRIPLE ECONOMY
24	834685-433	834685-434	TRIPLE ECONOMY
25	834685-435	834685-436	TRIPLE ECONOMY

THIS DRAWING IS A COMBINATION OF THE ORIGINAL DELIVERED CONFIGURATION SHOWN ON DWG 65C26367-193 SHT 60 AND E.O. JRG03-25-0002 REV B



UNLESS OTHERWISE SPECIFIED, DIMENSIONS ARE IN INCHES TOLERANCES DECIMALS ANGULAR .XX ± .03 ± 2° .XXX ± .010		ALL MACH SURF		APPROVALS		DATE		TITLE	
				ENGR R. GRACE		06/20/03		B737-300	
				CHECKED D GRINNELL		06/20/03		GECAS S/N 24676 & 24910	
				APPROVED R GRACE		06/20/03		PASSENGER LAYOUT	
				SCALE NONE		DRAWING NO. JRG03-737-148		REV	
				USED ON NEXT ASSY		MODEL		SHEET 1 OF 1	

JRG DESIGN, INC.
6015 CRYSTAL SPRINGS CT.
GREENSBORO, NC. 27410 (336) 643-1563